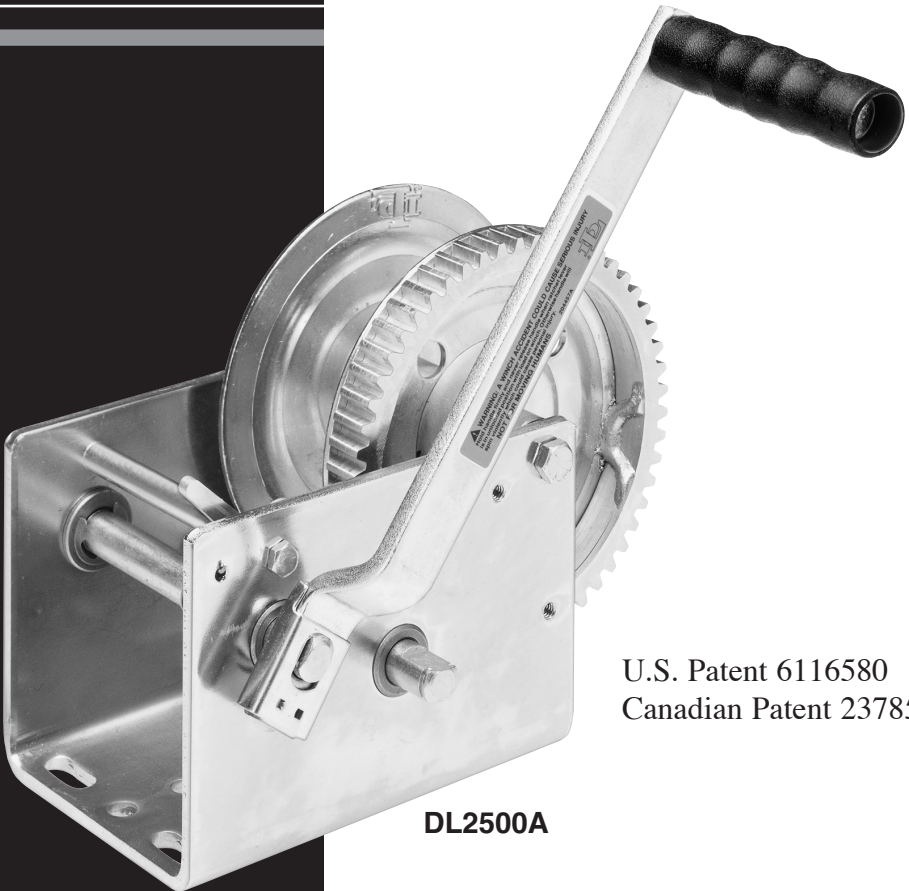


**DL1800A, DL2000A, DL2500A & DL3200A**



# **PULLING WINCHES**



U.S. Patent 6116580  
Canadian Patent 2378538

**DL2500A**



A Dependable Company Since 1886

**DUTTON-LAINSON COMPANY**

Hastings, NE 68902 U.S.A • Tel 402-462-4141 • Fax 402-460-4612  
E-mail [dlsales@dutton-lainson.com](mailto:dlsales@dutton-lainson.com) • Web Site [www.dutton-lainson.com](http://www.dutton-lainson.com)

**ISO 9001:2008 REGISTERED Q.M.S.**

**MADE IN  
USA**

**⚠ WARNING** READ INSTRUCTIONS CAREFULLY BEFORE ATTEMPTING TO INSTALL, OPERATE OR SERVICE THIS WINCH. FAILURE TO COMPLY WITH INSTRUCTIONS COULD RESULT IN SERIOUS OR FATAL INJURY. RETAIN THESE INSTRUCTIONS FOR FUTURE REFERENCE.



## IMPORTANT SAFETY INFORMATION

- This winch is built for multi-purpose hauling and pulling operations. It is not recommended for lifting applications. For lifting, use a self-locking winch. DL winches are not to be used as hoists for lifting, supporting or transporting people, or for loads over areas where people could be present.
- Respect this winch. High forces are created when using a winch, creating potential safety hazards. It should be operated and maintained in accordance with instructions. Never allow children or anyone who is not familiar with the operation of the winch to use it.
- Maintain a firm grip on the winch handle at all times, and never release the handle when ratchet lever is in unlocked position with a load on the winch. Otherwise, handle will spin violently, which could cause personal injury.
- Check for proper ratchet operation on each use of the winch. Do not use if damaged. Seek immediate repairs.
- Never use the winch handle as a convenient handle for pulling or maneuvering the entire trailer or other equipment. Never pull on the winch handle against a locked ratchet.
- Never exceed rated capacity. Excess load may cause premature failure and could result in serious personal injury. This winch is rated with three layers of line on the hub. Using more layers of line or a large hub increases the load on the winch.
- Never apply load on winch with cable or rope fully extended. Keep at least three full turns of cable or rope on the reel.
- Secure load properly. When winching operation is complete, do not depend on winch to support load.
- Operate with hand power only. This winch should not be operated with a motor of any kind. If the winch cannot be cranked easily with one hand, it is probably over-loaded.

## WINCH MOUNTING AND CABLE ATTACHMENT

— For maximum strength and safety, (and compliance with SAE Standard J1853) this winch should be mounted with three 3/8" for M10 bolts, washers, and lock washers. (Use grade 5 or 8 for DL2500A, 2500AB, DL3200A & 3200AB). See parts drawing.

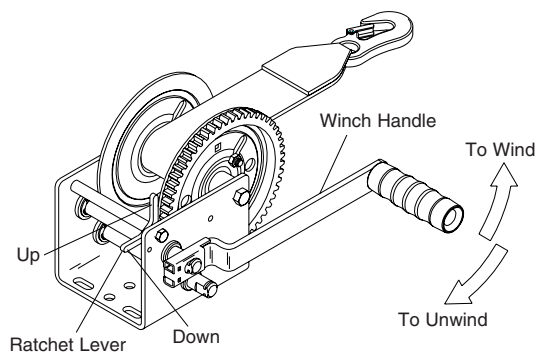
Select a winch line with breaking strength at least 1-1/2 times the winch rating and a hook 1-1/2 times stronger than the line. If steel cable

is selected, the optional reel with large hub may extend cable life. (The above combination meets SAE Standard J1853 for boat trailer winches).

Attach cable or rope by either method described in sketch. If nylon strap is used, it should have a loop sewn in one end and be attached using a 3/8" x 3-1/4" long bolt and locknut. Use a locknut, not a nut and lockwasher. Insert bolt through slots in both reel sideplates so that nut is on gear side. Tighten only until snug with bolt in bottom of slot next to reel hub.

## OPERATING INSTRUCTIONS

— Attach winch handle securely to primary drive shaft (upper or low speed shaft). Make sure that handle clip engages with groove in drive shaft. Wind line on winch reel by turning winch handle in counterclockwise direction with ratchet lever in "down" position. The ratchet should produce a loud, sharp, clicking noise. Make sure that ratchet lever is in "down" position and holding load before winch handle is released. To unwind or reel out line, securely grip winch handle and apply force in counterclockwise direction so that ratchet lever can easily be moved to "up" position. Carefully turn handle in clockwise direction. Do not lose control. If handle is attached to intermediate (lower or high speed) shaft, operate as described above, reversing clockwise and counterclockwise. The winch can be converted to wind line on to the underside of the reel. To do this, carefully examine ratchet assembly and remove it from winch. Do not



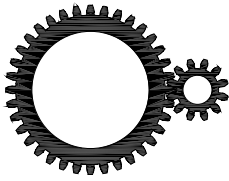
lose small parts. Turn the lever over and reassemble. Do not over tighten bolt. Check operation to insure the ratchet lever rotates fully without binding.

**WINCH MAINTENANCE** — This winch has been fully lubricated at the factory; but, for continued smooth performance and increased life, occasional greasing of gears and reel shaft and an occasional

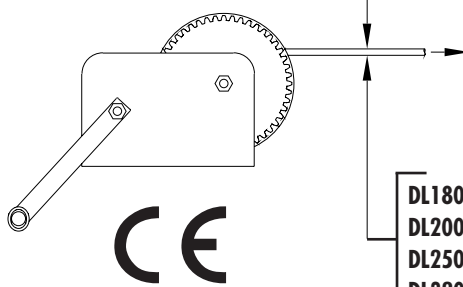
drop of oil on drive shaft bearings are recommended. Keep winch in good working order. Damaged or severely-worn parts create unnecessary dangers and could result in personal injury or property damage.



**NOT FOR THE MOVEMENT OF HUMAN BEINGS**



**DL1800A – 10.3:1/5.4:1**  
**DL2000A – 12.4:1/5.4:1**  
**DL2500A – 17.3:1/5.4:1**  
**DL3200A – 17.3:1/5.4:1**



**DL1800A – 1800 lbs/817 kg**  
**DL2000A – 2000 lbs/907 kg**  
**DL2500A – 2500 lbs/1134 kg**  
**DL3200A – 3200 lbs/1452 kg**

**CABLE**

**DL1800A – 9/32" x 58 ft (7 mm x 17.9 m)**  
**DL2000A – 9/32" x 58 ft (7 mm x 17.9 m)**  
**DL2500A – 5/16" x 47 ft (8 mm x 14.2 m)**  
**DL3200A – 3/8" x 30 ft (9 mm x 10.1 m)**

**ENGLISH – DECLARATION OF CONFORMITY** - Dutton-Lainson Company, Hastings, NE 68902-0729 U.S.A. manufactures and declares that the winch identified above fulfills all relevant provisions of the Directive 2006/42/EC. The technical file may be obtained from the persons listed below.

**DEUTSCH – KONFORMITÄTSERKLÄRUNG** - Dutton-Lainson Company, Hastings, NE 68902-0729, USA, der Hersteller der Winde, erklärt, dass die oben angegebene Winde alle relevanten Bestimmungen der Richtlinie 2006/42/EG erfüllt. Die technischen Unterlagen sind bei den nachfolgend aufgeführten Personen erhältlich.

**ITALIANO – DICHIARAZIONE DI CONFORMITÀ** - Il fabbricante, Dutton-Lainson Company, Hastings, NE 68902-0729 USA, dichiara che il verricello di cui sopra è conforme alle disposizioni della direttiva 2006/42/CE. Il fascicolo tecnico può essere richiesto agli individui indicati qui di seguito.

**PORTUGUÊS – DECLARAÇÃO DE CONFORMIDADE** - A empresa Dutton-Lainson Company, Hastings, NE 68902-0729, nos E.U.A., fabrica o guincho acima identificado e declara que este cumpre todas as provisões relevantes da Directiva 2006/42/CE. Poderá obter o processo técnico junto das pessoas indicadas abaixo.

**ESPA—OL – DECLARACION DE HOMOLOGACION** - Dutton-Lainson Company, de Hastings, NE 68902-0729 EE.UU., fabrica y declara que el cablestrante arriba identificado satisface todas las provisiones pertinentes de la directriz 2006/42/EC. El archivo técnico puede obtenerse de las personas mencionadas a continuación.

**SVENSKA – FÖRSÄKRAN OM ÖVERENSSTÄMMELSE** - Dutton-Lainson Company, Hastings, Nebraska 68902-0729 U.S.A, tillverkar och försäkrar att denna vinsch överensstämmer med alla tillämpliga bestämmelser i Direktiv 2006/42/EU. Den tekniska filen kan erhållas från de personer, som upptas nedan.

**DANSK – OVERENSSTEMMELSESERKLÆRING** - Dutton-Lainson Company, Hastings, NE 68902-0729 USA fremstiller og erklærer, at skraldespillet identificeret ovenfor er i overensstemmelse med alle relevante krav i direktiv 2006/42/EU. Den tekniske fil kan rekvireres gennem de nedennævnte personer.

**SUOMI – VAATIMUSTENMUKAISUUSVAKUUTUS** - Dutton-Lainson Company, osoite Hastings, NE 68902-0729 U.S.A, vakuuttaa tämän vintturin valmistajana, että tämä vintturi noudattaa direktiivin 2006/42/EY olennaisia määräyksiä. Tekniset tiedot on saatavissa alla ilmoitetuilla henkilöillä.

**NORSK – SAMSVARERKLÆRING** - Dutton-Lainson Company, Hastings, NE 68902-0729 U.S.A. produserer og erklærer at vinsjen angitt ovenfor oppfyller alle relevante krav i direktivet 2006/42/EC. Den tekniske filen kan skaffes fra personene som er opplistet nedenfor.

**NEDERLANDS – VERKLARING VAN OVEREENSTEMMING** - Dutton-Lainson Company, Hastings, NE 68902-0729 VS, fabrikant, verklaart dat de bovengenoemde lier voldoet aan alle betreffende bepalingen van richtlijn 2006/42/EC. Het technische bestand kan bij de hierna vermelde personen worden aangevraagd.

**FRANÇAIS – DECLARATION DE CONFORMITÉ** - Dutton-Lainson Company, Hastings, NE 68902-0729 U.S.A. construit le treuil mentionné ci-dessus et déclare qu'il répond à toutes les dispositions applicables de la Directive 2006/42/CE. Le dossier technique peut être obtenu auprès des personnes indiquées ci-dessous.

**ΕΛΛΗΝΙΚΑ – ΔΗΛΩΣΗ ΣΥΜΜΟΡΦΩΣΗΣ** - Η Dutton-Lainson Company, Hastings, NE 68902-0729 U.S.A. κατασκευάζει και δηλώνει ότι το βαρούλκο που καθορίζεται παραπάνω πληροί όλες τις σχετικές διατάξεις της Οδηγίας 2006/42/ΕΚ. Ο τεχνικός φάκελος είναι διαθέσιμος από τα άτομα τα οποία αναγράφονται παρακάτω.

Hastings, NE USA  
 May 18, 2017

*Jeff Dobbin*

Director of Engineering  
 Dutton-Lainson Company

Jack Singleton  
 Bainbridge International Limited  
 8 Flanders Park, Hedge End, Southampton, Hampshire,  
 SO30 2FZ UK

**ENGLISH**-To obtain a copy of the warranty in English, send a self-addressed envelope to: Dutton-Lainson Company; P.O. Box 729; Hastings NE 68902-0729; U.S.A.

**DEUTSCH**-Wenn Sie eine deutsche Kopie der Garantibestimmungen erhalten möchten, senden Sie bitte einen adressierten Rückumschlag an: Dutton-Lainson Company; P.O.Box 729; Hastings NE 68902-0729; USA

**ITALIANO**-Per ricevere una copia della garanzia in italiano, inviare una busta riportante il proprio indirizzo a: Dutton-Lainson Company, P.O. Box 729, Hastings NE 68902-0729 USA.

**PORTUGUÊS**-Para obter uma cópia da garantia em português, envie um envelope com a sua morada para: Dutton-Lainson; P. O. Box 729; Hastings NE 68902-0729; E.U.A.

**ESPA—OL**-Para obtener una copia de la garantía en español, envíe un sobre con su dirección impresa a: Dutton-Lainson Company, P.O. Box 729; Hastings NE 68902-0729 EE.UU.

**SVENSKA**-För att erhålla ett exemplar av garantin på svenska skicka ett adresserat kuvert till: Dutton-Lainson Company, P.O.Box 729, Hastings NE 68902-0729 U.S.A.

**DANSK**-Man kan få garantibeviset på dansk ved at sende en svarkuvert til: Dutton-Lainson Company, P.O. Box 729, Hastings NE 68902-0729, USA.

**SUOMI**-Takuutodistuksesta saa suomenkielisen kopion lähettämällä riittävästi postimaksulla ja vastaanottajan osoitteella varustetun kirjekuoren osoitteeseen Dutton-Lainson Company, P.O. Box 729, Hastings NE 68902-0729, USA.

**NORSK**-En kopi av denne garantien på norsk fås ved å sende en konvolutt med eget navn og adresse, til Dutton-Lainson Company, P.O. Box 729, Hastings NE 68902-0729, USA

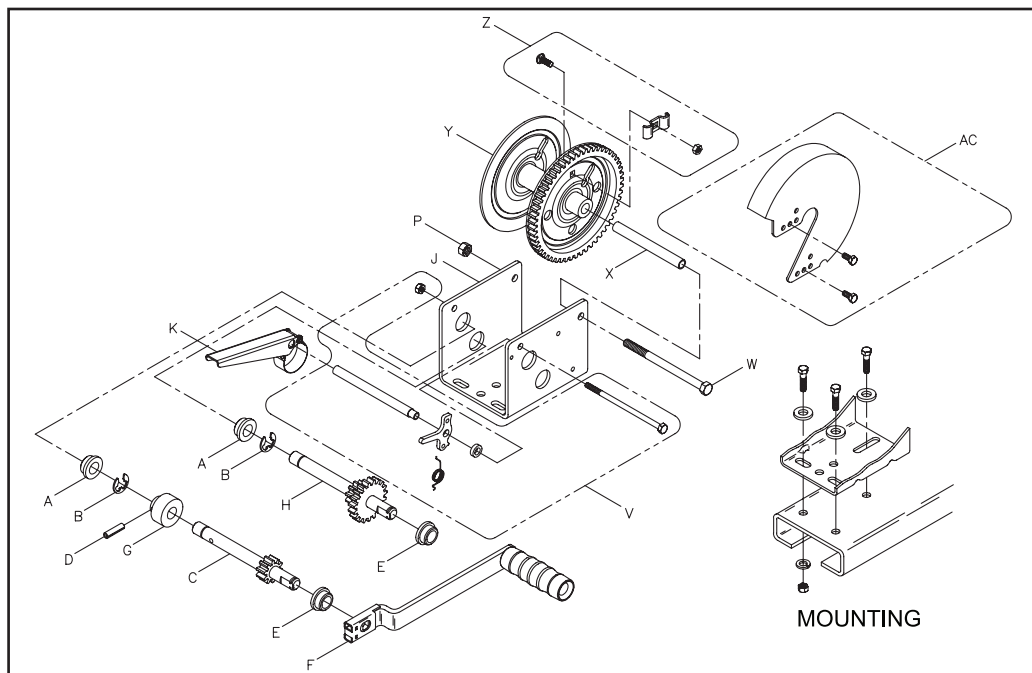
**NEDERLANDS**-Voor een exemplaar van de garantie in het Nederlands dient u een aan u zelf gedraesseeerde enveloppe te zenden naar: Dutton-Lainson Company; P.O. Box 729; Hastings NE 68902-0729; U.S.A.

**FRANÇAIS**-Pour obtenir une copie de la garantie en français, envoyer une enveloppe à votre nom et adresse à : Dutton-Lainson Company; P.O. Box 729; Hastings NE 68902-0729; U.S.A.

**ΕΛΛΗΝΙΚΑ**-Για να λάβετε ένα αντίγραφο της εγγύησης στα Ελληνικά, στείλτε ένα φάκελο εσωκλειοντας τα ταχυδρομικά τέλη αποστολής στην εξής διεύθυνση: Dutton-Lainson Company, P.O.Box 729, Hastings NE 68902-0729 U.S.A.



# DL1800A, DL2000A, DL2500A, DL3200A



Ref	Description	Part No.
A	Bushing (2)	204009
B	E-Ring (2)	205116
C	Drive Shaft - DL1800A, 2000A, 2500A	304726
C	Drive Shaft - DL3200A	304736
C	Dr. Shaft w/Hole - DL1800A thru 2500A	304780
C	Dr. Shaft w/Hole - DL3200A	304787
D	Pin (Optional)	207255
E	Bushing (2)	204012
F	Handle	5703301
G	Drum (Optional)	404910
H	Drive Shaft - DL1800A	304732
H	Drive Shaft - DL2000A	304733
H	Drive Shaft - DL2500A	304727
H	Drive Shaft - DL3200A	304737
H	Drive Shaft - DL2500A, Spec. Opt.	304781
J	Base - DL1800A	404879*
J	Base - DL2000A	404880*
J	Base - DL2500A	404875*
J	Base - DL3200A	404907*

Ref	Description	Part No.
K	Brake Band/Handle Assy.	304810
P	Locknut	204803
V	Ratchet Kit	5704754
W	Reel Shaft - DL1800A	205127
W	Reel Shaft - DL2500A, 2000A	204804
W	Reel Shaft - DL3200A	205335
X	Spacer (Reel)	204808
Y	Reel (1-1/8" Hub) - DL1800A, 2000A	304730*
Y	Reel (2-1/2" Hub) - DL1800A, 2000A, Opt.	304755*
Y	Reel (1-1/8" Hub) - DL2500A	304728*
Y	Reel (2-1/2" Hub) - DL2500A, Opt.	304783*
Y	Reel (1-1/8" Hub) - DL3200A	304735*
Y	Reel (2-1/2" Hub) - DL3200A, Opt.	304788*
Z	Rope Clamp Kit	5243506
AC	Gear Cover - DL1800A, DL2000A, DL2500A, Opt., Bronze	5240387
AC	Gear Cover - DL1800A, DL2000A, DL2500A, Opt., Plated	5240403

\*Specify color when ordering

To order replacement parts:

### Dutton-Lainson Company

www.dlco.com  
 Tel: 800-569-6577  
 Fax: 402-460-4612  
 e-mail: DLsales@dutton-lainson.com

### In Europe Contact

#### Bainbridge International Ltd.

8 Flanders Park  
 Hedge End  
 Southampton  
 Hampshire SO30 2FZ  
 UK  
 Tel: +44 (0) 1489-776050  
 Fax: +44 (0) 1489-776055  
 www.bainbridgemarine.co.uk

